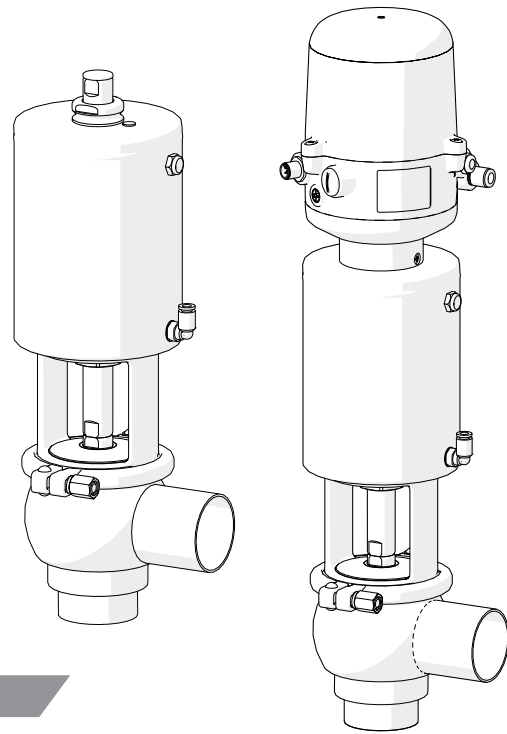


INNOVA N

Shut-off Single Seat Valve



APPLICATION

The INNOVA N-type valve is a pneumatic shut-off seat valve for hygienic applications.

DESIGN AND FEATURES

Hygienic design according to EHEDG.

Gasket with specific profile guarantees reliability under adverse working conditions.

Hygienic design of the gasket ensures optimal cleaning.

Single-acting pneumatic actuator.

Normally closed valve (NC).

The valve can be changed to normally open (NO) by simply reversing the position of the pneumatic actuator.

Easy assembly/disassembly of internal parts by loosening a clamp fastener.

Open lantern allows visual inspection of shaft sealing.

360° adjustable body.

The valve is authorized to carry 3-A symbol. Consult the options of the valves authorized to carry 3-A symbol

TECHNICAL SPECIFICATIONS

Materials

Parts in contact with the product	1.4404 (AISI 316L)
Other stainless steel parts	1.4301 (AISI 304)
Gaskets in contact with the product	EPDM

Surface finish

Internal	Bright polish $Ra \leq 0,8 \mu m$
External	Matt

Available sizes

DIN EN 10357 series A (previously DIN 11850 series 2)	DN 25 - DN 100
ASTM A269/270 (corresponds to OD pipe)	OD 1" - OD 4"

Connections

Weld



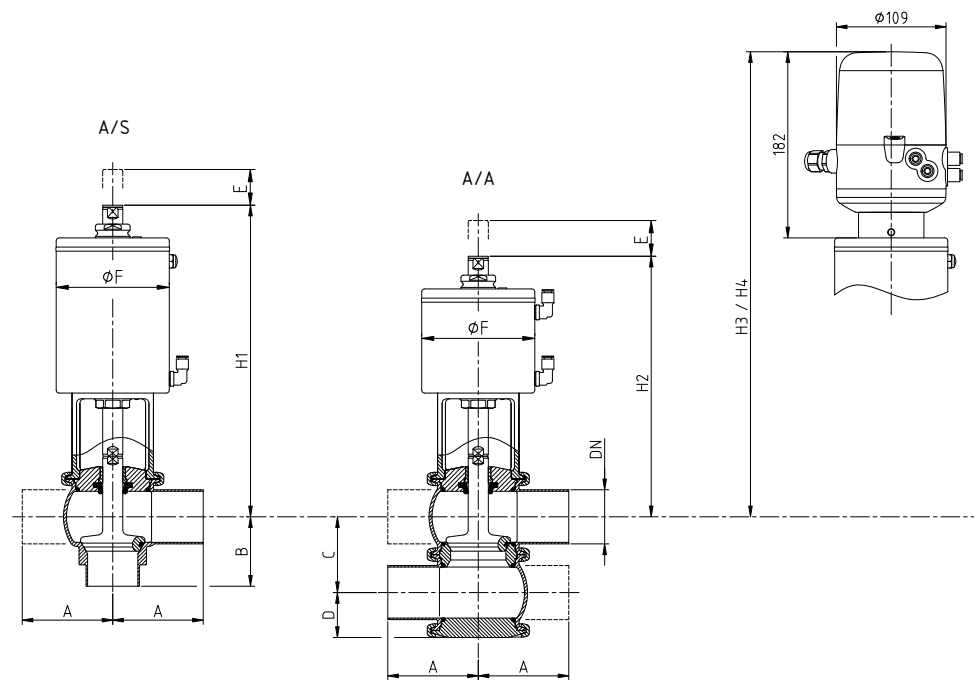
Standard Number 53-07

Operating limits

Temperature range	-10°C to 121°C	14°F to 250°F
Temperature SIP	140°C (maximum 30 minutes)	284°F
Maximum working pressure	1000 kPa (10 bar)	145 PSI
Minimum working pressure	Vacuum	Vacuum
Compressed aire pressure	6 - 8 bar	87 - 116 PSI

OPTIONS

Double-acting pneumatic actuator.
 Gaskets: FPM, HNBR.
 Other connection types.
 Control unit.
 External position sensors.
 Surface finish Ra < 0,5 µm.
 Steam barrier.
 Bodies with heating jacket.

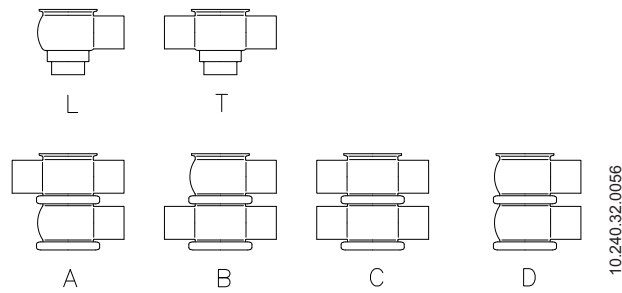
DIMENSIONS

10.240.32.0114

											A/S	A/A	A/S	A/A
	DN	Pipe	A	B	C	D	E	øF	H1	H2	H3	H4	kg ¹	kg ¹
DIN	25	29,0 x 1,50	50	50	50	32	16	87	272	242	399	369	4,0	3,4
	40	41,0 x 1,50	85	60	62	38	22	87	281	251	408	378	4,8	4,1
	50	53,0 x 1,50	90	68	74	44	32	113	340	290	457	407	7,9	6,3
	65	70,0 x 2,00	110	81	92	53	32	136	355	305	472	422	12,4	9,7
	80	85,0 x 2,00	125	90	107	60	32	136	362	312	479	429	13,5	10,8
	100	104 x 2,00	150	125	127	70	33	166	384	334	501	451	20,5	16,3
OD	1"	25,4 x 1,65	50	50	46	30	12	87	270	240	397	367	4,0	3,3
	1½"	38,1 x 1,65	85	60	59	36	18	87	280	250	407	377	4,8	4,1
	2"	50,8 x 1,65	90	68	72	43	29	113	339	289	456	406	7,9	6,3
	2½"	63,5 x 1,65	110	81	86	50	27	136	352	302	469	419	12,4	9,6
	3"	76,2 x 1,65	125	90	99	56	24	136	358	308	475	425	13,5	10,8
	4"	101,6 x 2,11	150	125	124	69	30	166	383	333	500	450	20,4	16,2

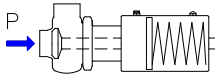
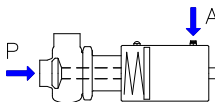
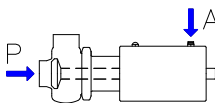
1) The weights correspond to the "L" housing combination

HOUSING COMBINATIONS

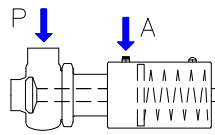
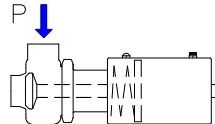


MAXIMUM PRESSURE

Maximum pressure in bar / PSI without leakage at the valve seat

Actuator / valve body combination and direction of pressure	Air pressure [bar] / [PSI]	Plug position	DN 25	DN 40	DN 50	DN 65	DN 80	DN 100
			OD 1"	OD 1½"	OD 2"	OD 2½"	OD 3"	OD 4"
			[bar] / [PSI]					
	6 / 87	NC	10 / 145	5,5 / 80	5,4 / 79	4,5 / 66	3,9 / 57	4,4 / 64
	6 / 87	NO	10 / 145	8 / 116	9,5 / 138	7,4 / 107	6,4 / 92	5,8 / 84
	6 / 87	A/A	10 / 145	10 / 145	10 / 145	10 / 145	10 / 145	10 / 145

Maximum pressure in bar / PSI against which the valve can open

Actuator / valve body combination and direction of pressure	Air pressure [bar] / [PSI]	Plug position	DN 25	DN 40	DN 50	DN 65	DN 80	DN 100
			OD 1"	OD 1½"	OD 2"	OD 2½"	OD 3"	OD 4"
			[bar] / [PSI]					
	6 / 87	NC	10 / 145	10 / 145	10 / 145	9,3 / 135	8 / 116	7,3 / 106
	6 / 87	NO	10 / 145	9,2 / 133	8 / 116	6,3 / 91	5,4 / 78	5,9 / 86

A ≡ air

P ≡ product pressure

NC ≡ normally closed valve

NO ≡ normally open valve

A/A ≡ double acting valve

Values for standard actuators

For other pressures, bigger actuators can be assembled