



### **I Application**

The sanitary and cost-efficient design of the Hyginox SE centrifugal pump makes it particularly suitable as main process pump in the dairy, beverage, pharmaceutical and cosmetic industries.

### **I Design and features**

Hyginox SE is a range of close-coupled centrifugal pumps with sanitary design, compact and efficient. It is made of a cold-formed stainless steel casing, stainless steel open impeller (investment casting), mechanical seal, pump cover, lantern and shaft, connected to the motor shaft by mechanical compression.

The motor complies with the IEC standards, it is protected with a stainless steel shroud and provided with the height adjustable hygienically designed legs.

### **I Technical specifications**

#### Materials:

Parts in contact with the product	Stainless steel AISI 316L (1.4404)
Other steel parts	Stainless steel AISI 304 (1.4301)
Gaskets in contact with the product	EPDM (according to FDA and EC 1935/2004)

Single internal mechanical seal EN 12756 I1k (according to FDA and EC 1935/2004):

Rotary part	Carbon (C)
Stationary part	Silicon carbide (SiC)
Gaskets	EPDM

#### Surface finish:

Internal	Ra<0,8 µm
External	Matt

Connections: DIN 11851

#### Operating limits:

Nominal pressure	10 bar	145 PSI
Temperature range	-10°C to +120 °C	14 °F to 248 °F
	+140°C (SIP, max- 30 min.)	284 °F
Maximum flow	145 m³/h	638 US GPM
Maximum differential head	90 m	295 ft
Maximum speed	3500 rpm	



## I Motor

Triphasic induction motor with B34 flange (B35 for motor frame 132 and above), in compliance with the IEC standards, 2 poles = 3000/3600 rpm, efficiency class according to EC regulation, IP 55 protection and F-class insulation.

3 phases, 50 Hz, 230 V Δ / 400 V Y, ≤ 4 kW  
 3 phases, 50 Hz, 400 V Δ / 690 V Y, ≥ 5,5 kW

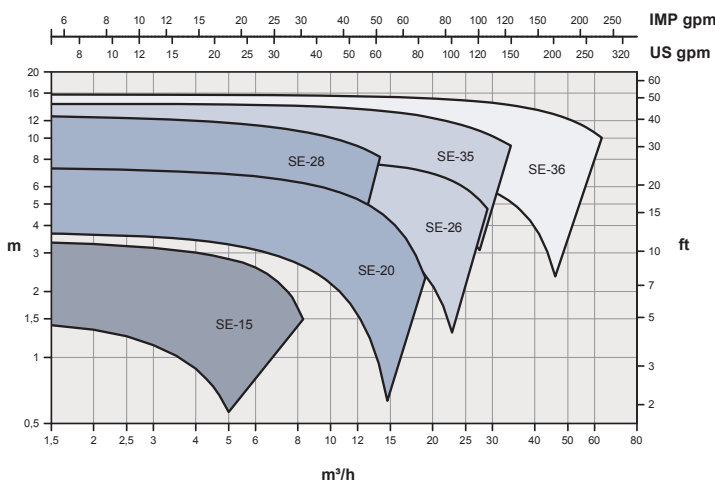
## I Options

SiC/SiC mechanical seal.  
 Gaskets: FPM and PTFE.  
 Jacketed pump housing.  
 Drain port.  
 Other connection types.  
 Motor with other voltages, frequencies, protection classes and efficiencies.  
 Trolley and/or control panel.  
 ATEX certification.

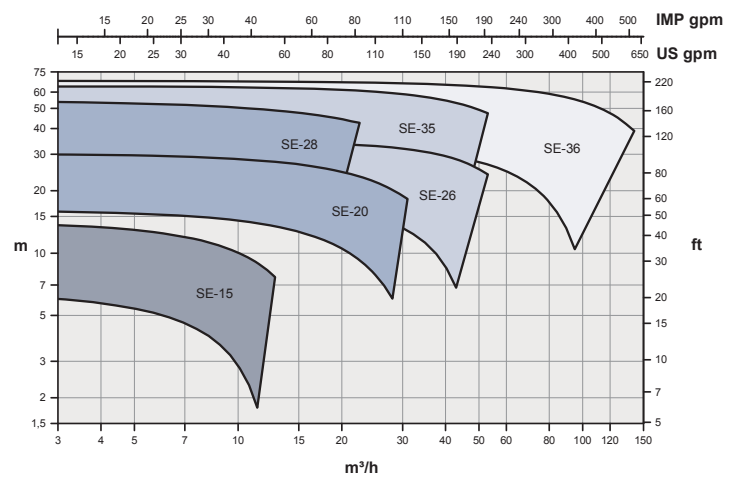
## I Performance charts

50 Hz

1450 rpm

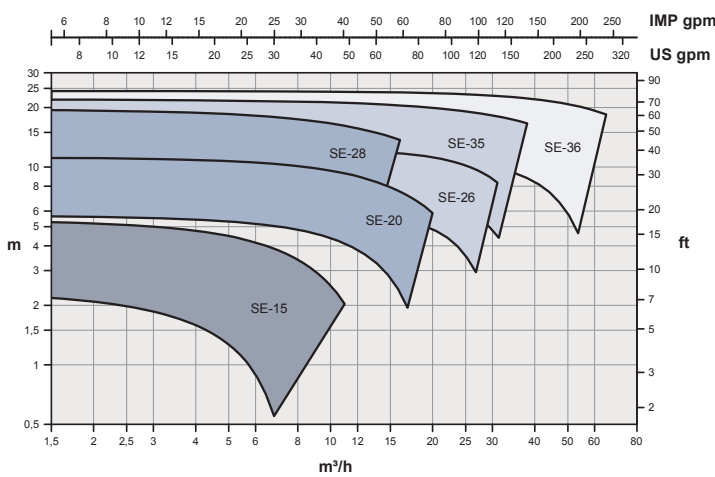


2900 rpm

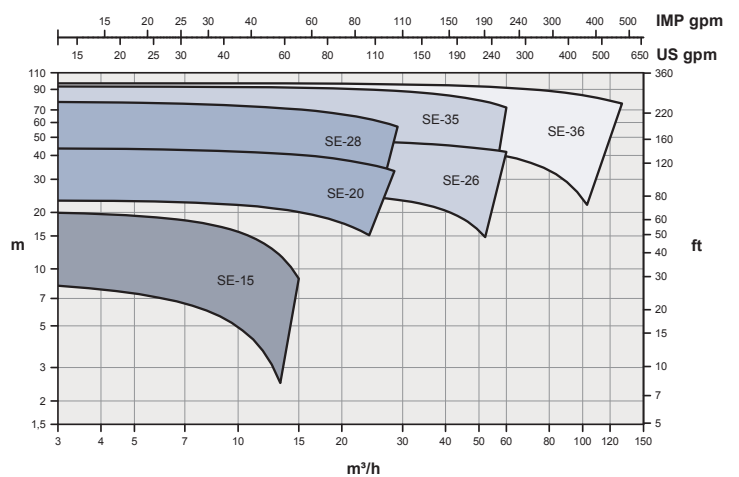


60 Hz

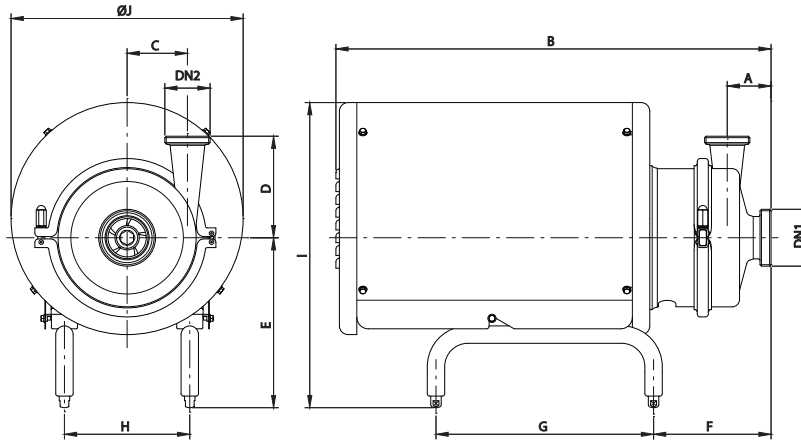
1750 rpm



3500 rpm



I Dimensions: Hyginox SE

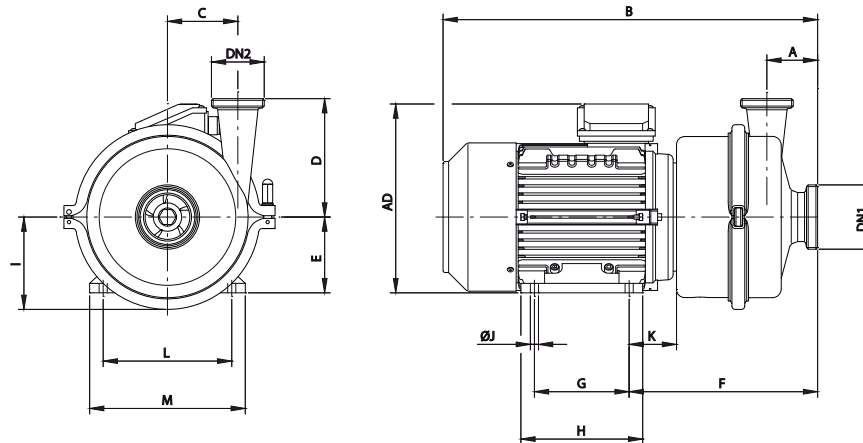


Pump	Size	Motor		DN1	DN2	A	B	C	D	E	F	G	H	I	ØJ	kg																		
		kW	rpm																															
SE-15	A	71	0,25	1450	40	32	55	440	100	203	111	250	112	350	230	14																		
			0,55													15																		
	B	80	0,75	2950			530	217		148	275	132	405	290		22																		
C	90S	1,1	55		227	154	415	28																										
SE-20	C	90S	1,1	1450	50	40	55	530	140	227	154	275	132	415	290	30																		
			1,5													29																		
	90L	2,2	74	605			266	152		325	175	480	350	31																				
	D	100												3	2950	278	159	490	43															
E	112	4	65	50	55	72	150	278	166	325	175	490	350	49																				
SE-26	C	90S	1,1	1450	65	50	55	540	150	227	162	275	132	415	290	31																		
	D	100	3													2950	610	266	159	325	175	480	350	43										
	E	112	4																					50	55	72	150	278	166	325	175	490	350	50
	F	132S	5,5																					71										
			7,5																					79										
SE-28	C	90S	1,1	1450	40	40	65	535	165	227	157	275	132	415	290	36																		
	D	100	3													2950	610	266	154	325	175	480	350	48										
	E	112	4																					65	106	165	278	161	325	175	490	350	55	
	F	132S	5,5																					61										
			5,5																					76										
			7,5																					84										
SE-35	D	100	2,2	1450	65	50	75	620	175	266	168	325	175	480	350	49																		
	E	112	5,5													2950	750	104	175	293	202	375	216	530	400	54								
	F	132S	5,5																							62								
			7,5																							76								
	G	160M	11																							85								
			15																							134								
	SE-36	D	100																							2,2	1450	100	65	75	620	181,5	266	168
E		112	4	2950	750	98	181,5	278	175	325	216	530	400	57																				
F		132S	7,5											63																				
			11											88																				
G		160M	11											101																				
		15	136																															

Dimensions with DIN 11851 connections



**I Dimensions: Hyginox SE without shroud and without legs**



Pump	Size	Motor kW	rpm	DN1	DN2	A	B	C	D	E	F	G	H	AD	I	ØJ	K	L	M	kg			
SE-15	A	71	0,25 0,55	1450	40	32	55	375	55	100	71	202	90	105	185	80	7	45	112	140	10 11		
	B	80	0,75 1,1								2950	420	80	231	100		130	215	10	50	125	160	16 18
	C	90S	1,5								445	90	237	100	130		235	56	140	180	22		
SE-20	C	90S	1,1 1,5	1450	50	40	55	450	74	140	90	237	100	130	235	105	10	56	140	180	24 23		
	D	90L	2,2								2950	470	100	255	125						155	260	63
	E	112	4								530	112	262	140	180		280	12	70	190	230	41	
	F	132S	7,5								605	132	310	140	190		320	150	112	216	260	59 68	
SE-26	C	90S	1,1	1450	65	50	55	455	72	150	90	244	100	130	235	105	10	56	140	180	25		
	D	100	3								530	100	261	140	180						260	63	160
	E	112	4								545	112	268	140	180		280	12	70	190	230	41 47	
	F	132S	7,5								605	132	310	140	190		320	150	112	216	260	59 68	
	C	90S	1,1								1450	40	40	65	450		106	165	90	240	100	125	235
D	100	3	525	100	257	140	180	260	63	160						200			39				
E	112	4	540	112	264	140	180	280	12	70						190			230	46 52			
F	132S	7,5	600	132	306	140	190	320	150	112						216			260	64 73			
C	90S	1,1	1450	65	50	75	540	104	175	100						271			140	180	260	134	12
D	100	3								555	112	278	140	180	280	70	190	230	53				
E	112	5,5								610	132	320	140	190	320	150	112	216	260	65 74			
F	132S	7,5								650	132	320	178	230	320	150	112	216	260	77 87			
G	160M	11								765	160	375	210	265	405	175	15	167	254	315	116 136		
SE-36	D	100	2,2 3	1450	100	65	75	540	98	181,5	100	271	140	180	260	137	12	63	160	200	43		
	E	112	4								555	112	278	140	180						280	70	190
	F	132S	7,5								610	132	320	178	230		320	150	112	216	260	77 90	
	G	132M	11								650	132	320	178	230		320	150	112	216	260	90	
	G	160M	11								765	160	375	210	265		405	175	15	167	254	315	118 138

Dimensions with DIN 11851 connections



The information is for guidance only. We reserve the right to modify any material or feature without notice in advance. Photos are not binding. For further information, please, consult our web site. [www.inoxpa.com](http://www.inoxpa.com)